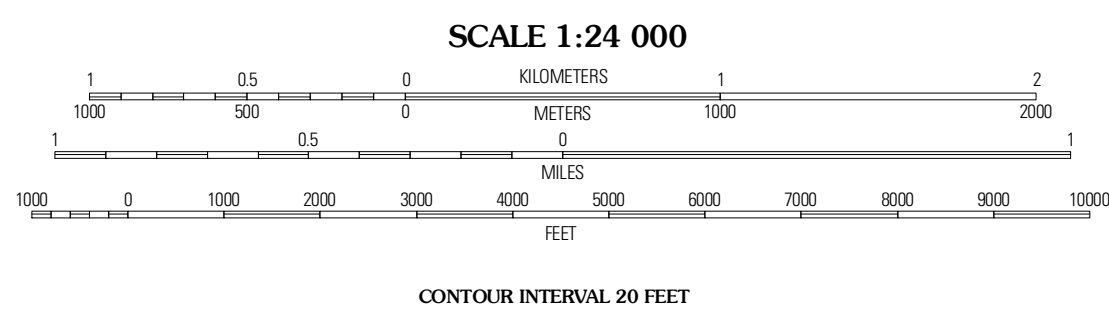
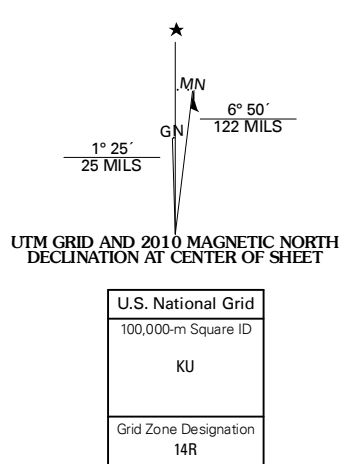




Produced by the United States Geological Survey
North American Datum of 1983 (NAD83)
World Geodetic System of 1984 (WGS84). Projection and
1 000-meter grid: Universal Transverse Mercator, Zone 14R
10 000-foot ticks: Texas Coordinate System of 1983
(south central zone)

Imagery.....N.A.I.P., September 2008
Roads.....US Census Bureau TIGER data
with limited USGS updates, 2008
Names.....GNIS, 2008
Hydrography.....National Hydrography Dataset, 1995
Contours.....National Elevation Dataset, 2006



This map was produced to conform with version 0.5.10 of the
draft USGS Standards for 7.5-Minute Quadrangle Maps.
A metadata file associated with this product is also draft version 0.5.10



QUADRANGLE LOCATION

Horsehead Canyon	Sheffield SE	Dead Man Canyon
Geddis Canyon NW	Oasis Ranch	Steehooter Canyon
Geddis Canyon West	Geddis Canyon East	Past Canyon

ADJOINING 7.5' QUADRANGLES
TX 30101-234

ROAD CLASSIFICATION

Interstate Route	State Route	Local Road
US Route	4WD	
Ramp		

Interstate Route US Route State Route

OASIS RANCH, TX
2010