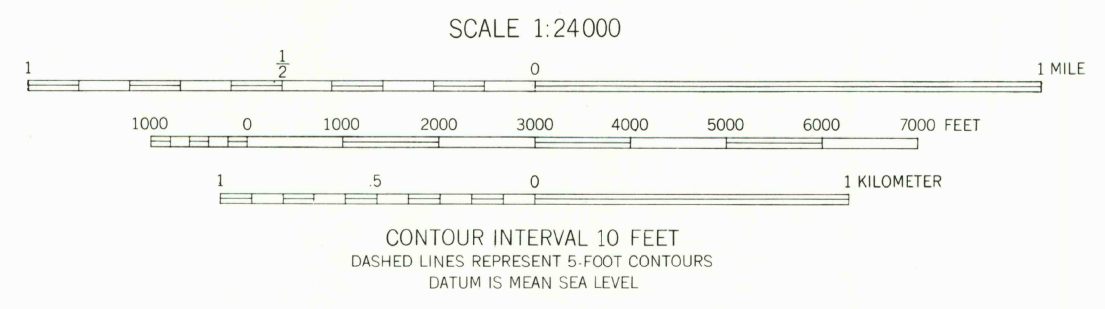


Mapped, edited, and published by the Geological Survey
Control by USGS and USC&GS
Topography from aerial photographs by photogrammetric methods
and by planetable surveys 1957. Aerial photographs taken 1956-1957
Polyconic projection. 1927 North American datum
10,000-foot grid based on Texas coordinate system,
south central zone
1000-meter Universal Transverse Mercator grid ticks,
zone 14, shown in blue

TRUE NORTH
MAGNETIC NORTH
APPROXIMATE MEAN
DECLINATION, 1957



ROAD CLASSIFICATION
Heavy-duty ——— Light-duty ———
Medium-duty ——— Unimproved dirt ———
State Route ○



THIS MAP COMPLIES WITH NATIONAL MAP ACCURACY STANDARDS
FOR SALE BY U. S. GEOLOGICAL SURVEY, DENVER 2, COLORADO OR WASHINGTON 25, D. C.
A FOLDER DESCRIBING TOPOGRAPHIC MAPS AND SYMBOLS IS AVAILABLE ON REQUEST

USCS
Historical File
Topographic Division

ELLINGER, TEX.
N2945—W9637.5/7.5
1957
JUL 18 1977

1700