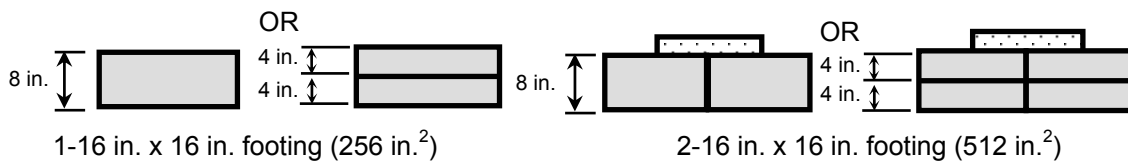
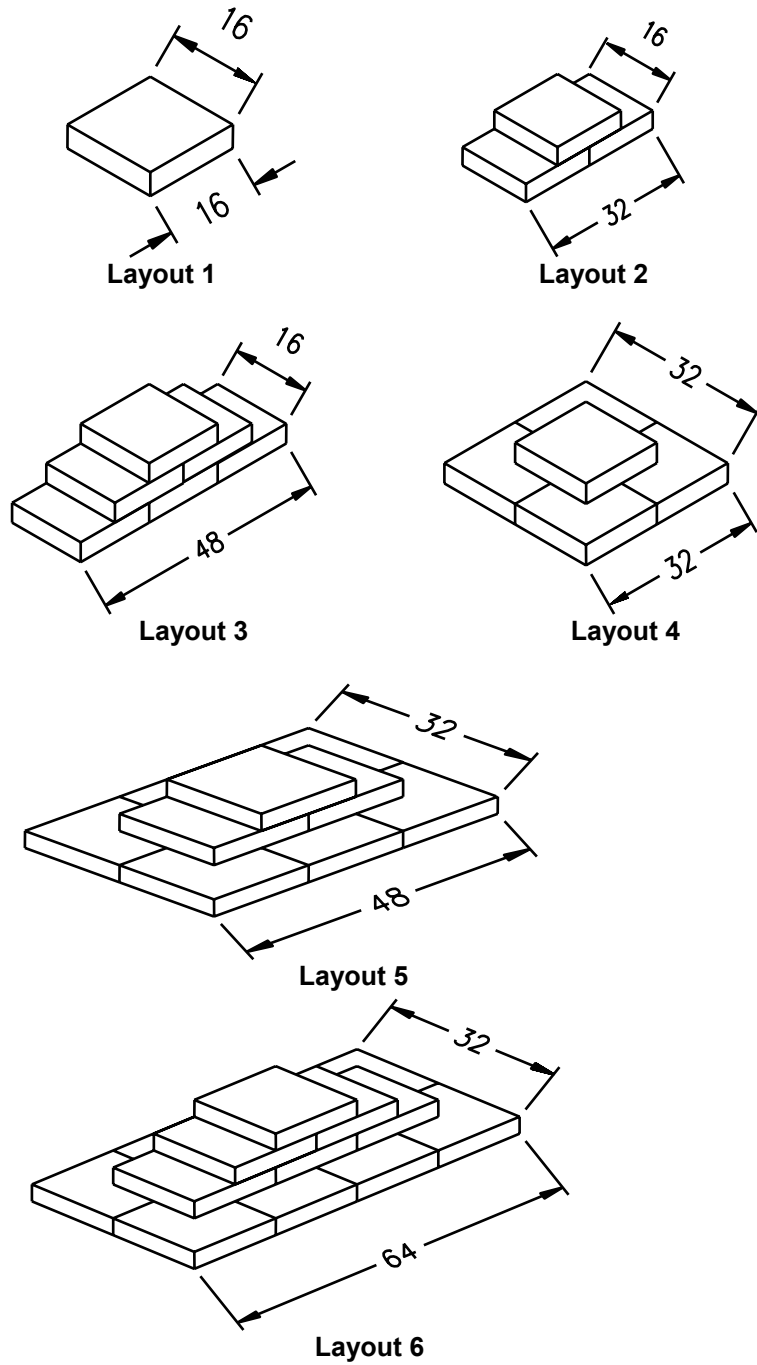


Figure: 10 TAC §80.240(b)(22)

FOOTER CONFIGURATIONS



Notes:

1. Typical pier pad: 16 in. x 16 in. x 4 in. thick precast concrete.
2. For shaded area, the thickness of the pad shall be minimum 8 in. or place two pads one on top of the other.
3. $F_c = 4000$ psi min.
4. For SI units, 1 in. = 25.4 mm; 1in.² = 645 mm².